



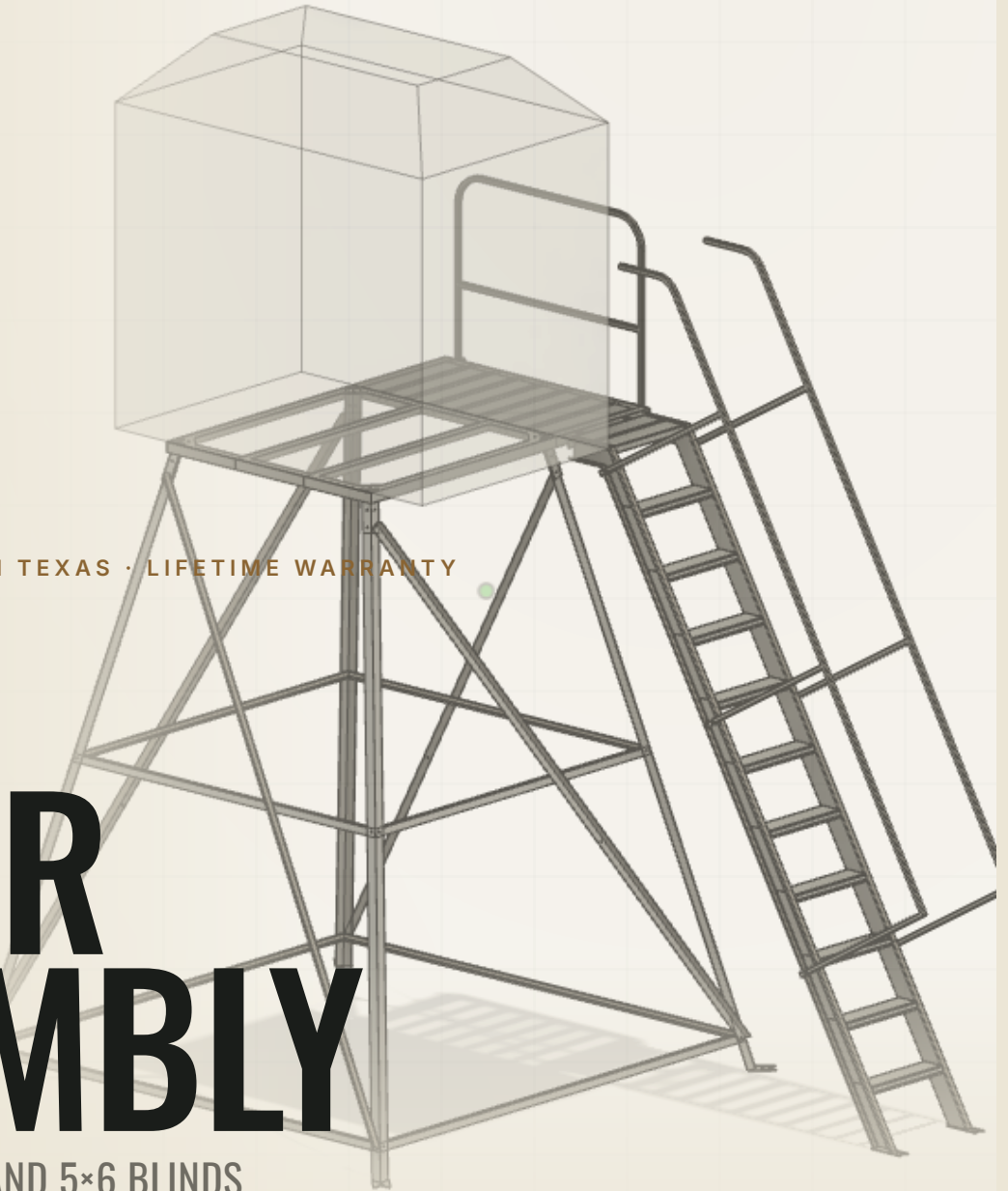
DOCUMENT

VX-SOP-TWR-10 · Rev 1.0
Generated 2026-04-29 · Jacksboro, TX

WHOLESALE ONLY · MADE IN TEXAS · LIFETIME WARRANTY

10' TOWER ASSEMBLY

10' TOWER FOR 4×4, 4×6, AND 5×6 BLINDS



TOOLS

1/2" & 9/16"

wrench, ratchet & socket
· all Grade 5

CREW

3 people

lift the 10' assembly
upright

TIME

~ 2 hr

10' field assembly

SURFACE

Level ground

12' x 8' working area ·
level for stand-up

BEFORE YOU START

PARTS CHECKLIST

Cross-referenced to the BOM. Confirm every item is in the kit before you start. Anything missing or damaged: stop and contact your dealer or VisionX directly.

MEMBER LENGTHS · DON'T MIX THEM UP

Measure and pre-sort by length before starting — they look nearly identical.

Mid-Tier Horizontal · 70½"

VX-HB-10-MID

Bottom-Tier Horizontal · 95¼"

VX-HB-10-LOW

Full-Height Diagonal · 131½"

VX-DB-10

FRAME · 10' TOWER

- 1 Blind Base VX-BASE-44 / 46 / 56
- 4 10' Tower Leg VX-LEG-10
- 4 Mid-Tier Horizontal VX-HB-10-MID
- 4 Bottom-Tier Horizontal VX-HB-10-LOW
- 4 Full-Height Diagonal VX-DB-10

MOUNT & STAND

- 1 Tower / Blind Bolt Kit VX-BOLT-KIT
- 1 Porch Handrail VX-RAIL-PORCH

STAIRWAY · 10'

- 1 10' Stairway VX-LADDER-10
- 2 10' Stairway Handrails · one each side VX-RAIL-STAIR-10
- 4 Handrail Mounting Blocks · two per handrail

BLIND-TO-BASE HARDWARE · ALL GRADE 5

- 4 ⅜" Hex Bolts
⅝" wrench · ships in the bolt kit
- 8 1¼" Fender Washers
two per bolt · one each side
- 4 ⅜" Nylock Nuts

FRAME BOLT KIT · ALL GRADE 5

- 32 ⅝" × 1½" Hex Bolts
½" wrench
- 64 ⅝" Flat Washers
two per bolt · one each side
- 32 ⅝" Nylock Nuts
match bolt count

HANDRAIL HARDWARE · ALL GRADE 5

- 8 2" × ⅝" Hex Bolts
4 porch + 4 stairway
- 8 ⅝" Flat Washers
one per bolt · head side
- 8 ⅝" Nylock Nuts
4 porch + 4 stairway

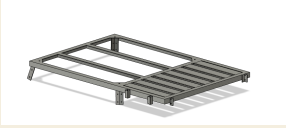


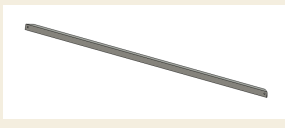
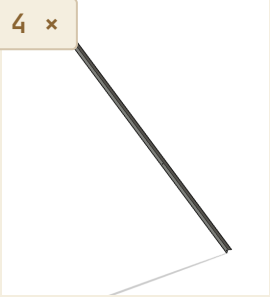

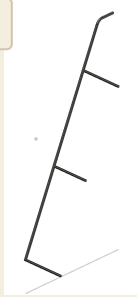

ANCHOR KIT · CUSTOMER-SUPPLIED

- 6 Stakes
4 tower feet · 2 stairway feet
- 1 Steel Cable Run
ground anchor → 4 blind-base bolts
- 1 Ground Anchor
auger, helical, or drive-in · soil-rated
- 4 Short Chain Sections
recommended · cable-to-bolt

BEFORE YOU START

PARTS IDENTIFICATION

Verify each part visually as you unpack — lengths are called out on the ones that are easy to mix up.

<p>1 x</p>  <p>Blind Base</p>	<p>4 x</p>  <p>10' Tower Leg 120"</p>	<p>4 x</p>  <p>Lower Horizontal 95½"</p>	<p>4 x</p>  <p>Mid-Tier Horizontal 70½"</p>
<p>4 x</p>  <p>Diagonal Brace 131½"</p>	<p>1 x</p>  <p>10' Stairway</p>	<p>2 x</p>  <p>Stairway Handrail</p>	<p>1 x</p>  <p>Porch Handrail</p>

BEFORE YOU START · RULES

READ THIS BEFORE ANYTHING ELSE

Four rules carry through every step of this manual. Get familiar with them now and the rest of the build is mechanical.

01

CRITICAL · ORDER OF OPS

Do not tighten any nut until the tower is fully assembled. All nuts in this kit are nylock — they need a wrench to start, but should remain loose. Run nuts only enough to capture the bolt through Steps C–E. Final torque happens in a single pass at Step F. Tightening early forces the geometry out of square.

02

CRITICAL · BRACE FACES

Diagonals outside, horizontals inside. Horizontals run angle-down (open face of the angle pointing toward the ground). Mixing the faces breaks the load path.

03

CRITICAL · BOLT ORIENTATION

All $\frac{5}{16}$ " × $1\frac{1}{2}$ " frame bolts run **inside out** — bolt head on the **inside** of the tower frame, nylock nut on the **outside**, with a flat washer on each side. Same orientation at every leg-to-brace junction.

04

HARDWARE · GRADE 5 THROUGHOUT

Every bolt in this kit is Grade 5. Blind-to-base uses $\frac{3}{8}$ " bolts with $1\frac{1}{4}$ " fender washers both sides and $\frac{3}{8}$ " nylocks ($\frac{9}{16}$ " wrench). The frame uses $\frac{5}{16}$ " × $1\frac{1}{2}$ " bolts with flat washers both sides and $\frac{5}{16}$ " nylocks ($\frac{1}{2}$ " wrench).

STEP A · MOUNT STAGE

A

ATTACH BLIND TO BLIND BASE

Mount the blind to the blind base while both are still upright on the ground, using four $\frac{3}{8}$ " bolts with $1\frac{1}{4}$ " fender washers on both sides and nylock nuts. Requires a $\frac{9}{16}$ " socket / wrench.

Same first step as the 5' tower — the blind+base assembly is what gets tipped on its side in Step B and built around. Pass each $\frac{3}{8}$ " Grade-5 bolt through with a $1\frac{1}{4}$ " fender washer on the head side and another fender washer on the nut side, then thread the nylock. Confirm the blind is seated flush before tightening.

SEATED FLUSH Any gap between blind and base concentrates load on the fasteners. Reseat before continuing.

PARTS IN THIS STEP

- 1 VisionX Blind (separate kit)**
see your blind invoice for the matching SKU
- 2 1 Blind Base — sized to the kit you ordered**
VX-BASE-44 / 46 / 56 · BOM: matching Base sheet
- 3 4 sets Blind-to-Base Hardware (Grade 5)**
 $3/8$ " bolt + $2 \times 1\frac{1}{4}$ " fender washers + $3/8$ " nylock · $9/16$ " wrench · ships in the bolt kit

DIAGRAM · STEP A — 10' TOWER

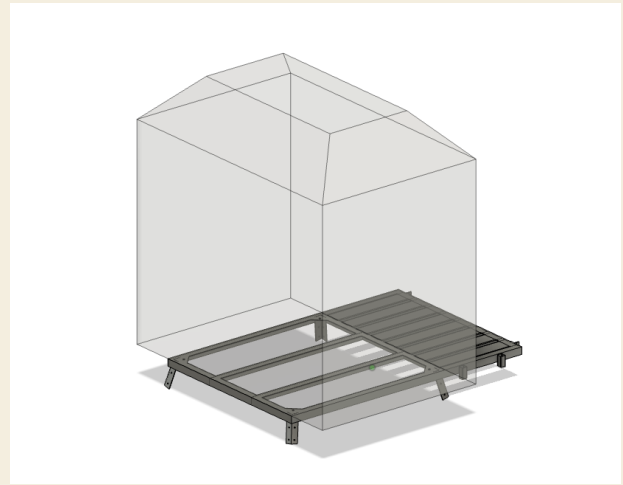


Fig. A-1

STEP B · SETUP STAGE

B

LAY BLIND + BASE ON SIDE

Tip the blind+base assembly 90° onto the porch side, so the porch deck and one wall of the blind both rest on the ground. The blind base is now vertical, with leg-attach plates facing horizontally outward.

Clear a 16' × 8' working area before starting — the 10' tower needs more floor space because the legs (twice as long) extend much further once installed. Set a moving blanket or plywood strap under the blind side wall to protect the finish.

TWO-PERSON TIP The blind+base assembly is awkward but not heavy. Two people, one on each end, walk it over onto its side.

PARTS IN THIS STEP

No new parts — this is a procedural step.

DIAGRAM · STEP B — 10' TOWER

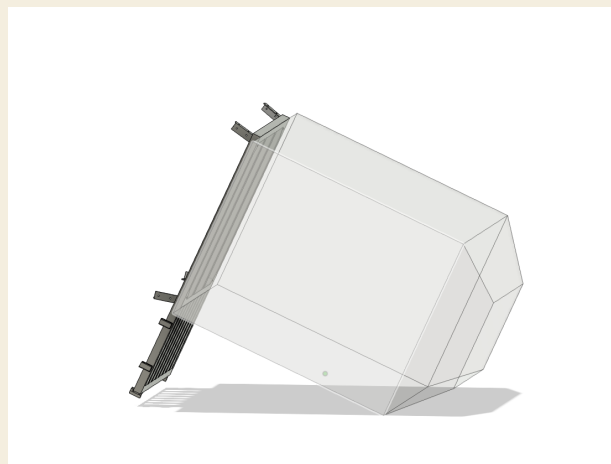


Fig. B-1

STEP C · FRAME STAGE

C

ATTACH 10' LEGS

Bolt four 10' legs to the inside face of the blind base's leg-attach tabs using two $\frac{5}{16}$ " \times $1\frac{1}{2}$ " bolts per leg, washer-on-each-side with nylock nuts. Leave the frame loose.

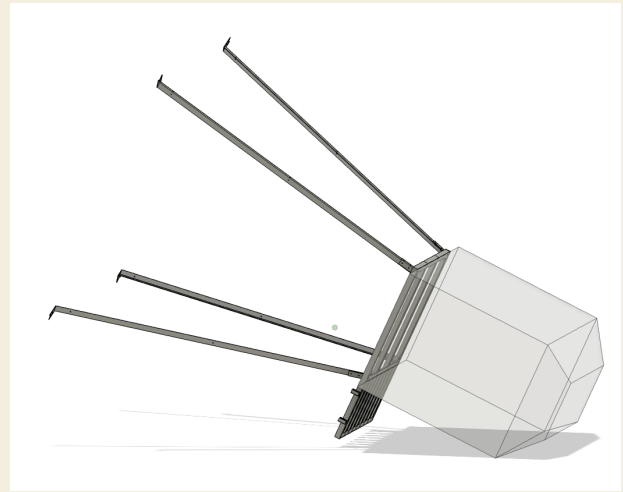
Each 10' leg is 120" of $2\times 2\times\frac{3}{16}$ " angle — two people make this much easier. One stabilizes the side-tipped blind base while the other walks the leg into position and rests it against the inside of the tab. Insert each $\frac{5}{16}$ " \times $1\frac{1}{2}$ " Grade-5 bolt from **inside the frame, head in**, with a washer on each side and the nylock nut on the outside. Run the nylocks just enough to capture the bolt — the frame stays loose through Steps D–E.

DO NOT TIGHTEN Leave the entire frame loose until every brace and diagonal is in place. The 10' frame must remain flexible through Steps D–E.

PARTS IN THIS STEP

- 1** 4 10' Tower Leg — $2\times 2\times\frac{3}{16}$ " angle, 120"
VX-LEG-10 · BOM: Tower Legs, 10' Frame
- 2** 4 Leg Foot — $\frac{3}{16}\times 3$ " flat band weld-on
VX-FOOT · BOM: Leg Foot, 10' Frame · pre-welded to leg
- 3** 8 sets Frame Hardware (Grade 5)
 $\frac{5}{16}$ " \times $1\frac{1}{2}$ " bolt + 2 \times $\frac{5}{16}$ " washers + $\frac{5}{16}$ " nylock · 2 per leg · $\frac{1}{2}$ " wrench

DIAGRAM · STEP C — 10' TOWER



BOLT ORIENTATION DETAIL



Fig. C-1

STEP D · FRAME STAGE

D

INSTALL LOWER HORIZONTALS

Attach four **95¼"** lower horizontal braces (HB-10-LOW, the longer set) angle-down to the **inside** of each vertical leg at the leg-foot level — one per face.

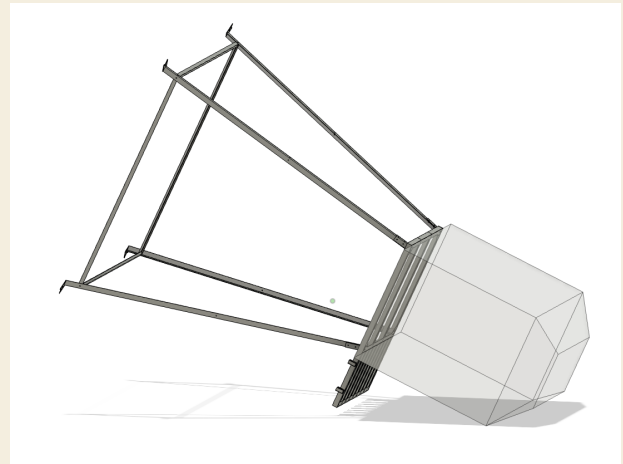
Pre-sort the brace lengths before starting — the 10' tower has three sets that look similar: 95¼" lower, 70½" mid, and 131½" diagonal. The lower braces are the longest of the two horizontal sets because the splay opens up by the time the legs reach the ground. Insert each $\frac{5}{16}$ " × 1½" Grade-5 bolt from **inside the frame, head in** — washer each side, nylock on the outside, captured only.

LOWER FIRST Install the lower tier first. It captures the legs at the foot level so the mid-tier (Step D2) drops cleanly into the splayed geometry above.

PARTS IN THIS STEP

- 1** 4 Lower Horizontal Brace · 95¼" length
1½ × 1½ × 3/16" angle · VX-HB-10-LOW · longer set
- 2** 8 sets Frame Hardware (Grade 5)
5/16" × 1½" bolt + 2 × 5/16" washers + 5/16" nylock · 2 per brace · capture only

DIAGRAM · STEP D — 10' TOWER



BOLT ORIENTATION DETAIL

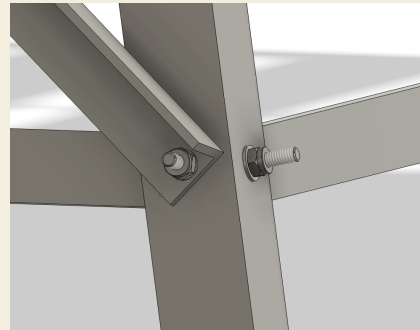


Fig. D-1

STEP D2 · FRAME STAGE

D2

INSTALL MID-TIER HORIZONTALS

Attach four **70½"** mid-tier horizontal braces (HB-10-MID, the shorter set) angle-down to the **inside** of each vertical leg at the halfway-up point — one per face.

The mid-tier braces sit halfway up the 10' leg where the splay is tighter — that's why they're shorter than the lower set installed in Step D. Same angle-down orientation, same inside-face attach. Insert each $\frac{5}{16}$ " \times $1\frac{1}{2}$ " Grade-5 bolt from **inside the frame, head in** — washer each side, nylock on the outside, captured only.

CRITICAL Horizontals connect **inside**.
Diagonals (Step E) connect **outside**. Don't mix.

PARTS IN THIS STEP

- 1** 4 Mid-Tier Horizontal Brace · 70½" length
 $1\frac{1}{2} \times 1\frac{1}{2} \times \frac{3}{16}$ " angle · VX-HB-10-MID · shorter set
- 2** 8 sets Frame Hardware (Grade 5)
 $\frac{5}{16}$ " \times $1\frac{1}{2}$ " bolt + 2 \times $\frac{5}{16}$ " washers + $\frac{5}{16}$ " nylock · 2 per brace · capture only

DIAGRAM · STEP D2 — 10' TOWER

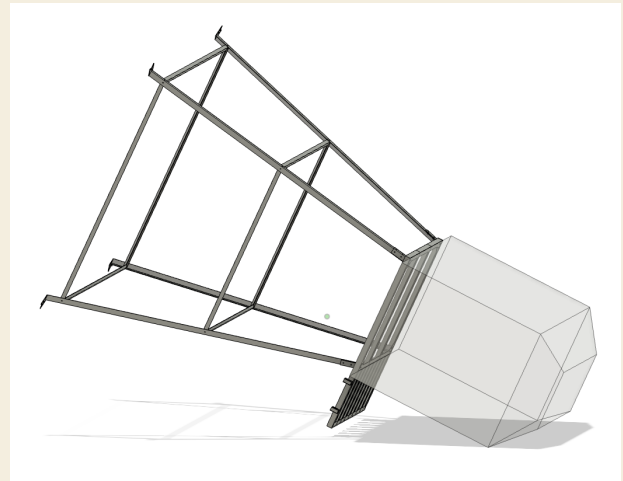


Fig. D2-1

STEP E · FRAME STAGE

E

INSTALL FULL-HEIGHT DIAGONALS

Attach four **131½"** full-height diagonal braces (DB-10) angle-down to the **outside** of each leg — one diagonal per face, running top corner to opposite ground corner.

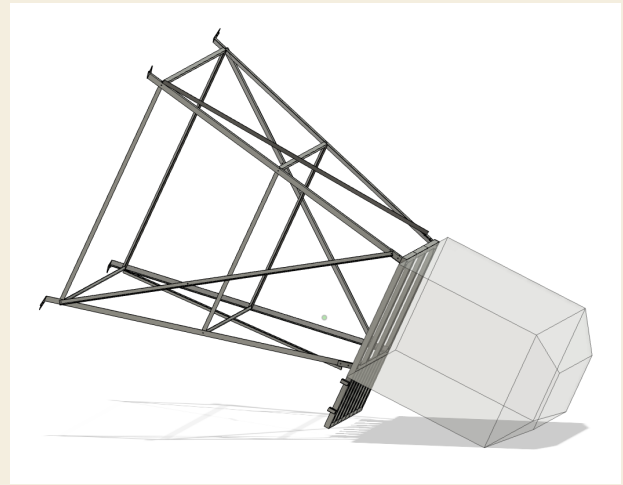
The 10' diagonals span the full leg height — one brace per face, top corner to opposite ground corner, crossing both the lower- and mid-tier horizontals at the center of each face. Insert each $\frac{5}{16}$ " × 1½" Grade-5 bolt from **inside the frame, head in**, washer each side, nylock on the outside, captured only.

OUTSIDE FACE Diagonals must sit **outside** the legs. On the 10' tower this is what carries the longer load path.

PARTS IN THIS STEP

- 1 4 Full-Height Diagonal Brace · 131½" length
1½ × 1½ × 3/16" angle · VX-DB-10 · one per face
- 2 8 sets Frame Hardware (Grade 5)
5/16" × 1½" bolt + 2 × 5/16" washers + 5/16" nylock · 2 per brace · capture only

DIAGRAM · STEP E — 10' TOWER



BOLT ORIENTATION DETAIL

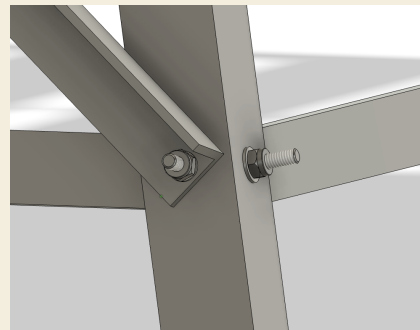


Fig. E-1

STEP F · HARDWARE STAGE

F

TIGHTEN ALL NUTS

Run a $\frac{1}{2}$ " wrench, ratchet, and socket through every $\frac{5}{16}$ " nylock on the 10' frame and torque to spec — assembly still on its side on the ground.

Snug pass first, then final torque. Work around the tower in two full laps. The 10' frame has 32 brace fasteners — give it the time.

TWO-PASS TORQUE First snug all 32 fasteners, then torque each in sequence.

PARTS IN THIS STEP

- 32 $\frac{5}{16}$ " × $1\frac{1}{2}$ " Bolts in place
from Steps C-E · 8 leg + 16 horizontal
+ 8 diagonal
- 32 $\frac{5}{16}$ " Nylock Nuts in place
all to be torqued in this pass with a
 $\frac{1}{2}$ " socket

DIAGRAM · STEP F — 10' TOWER

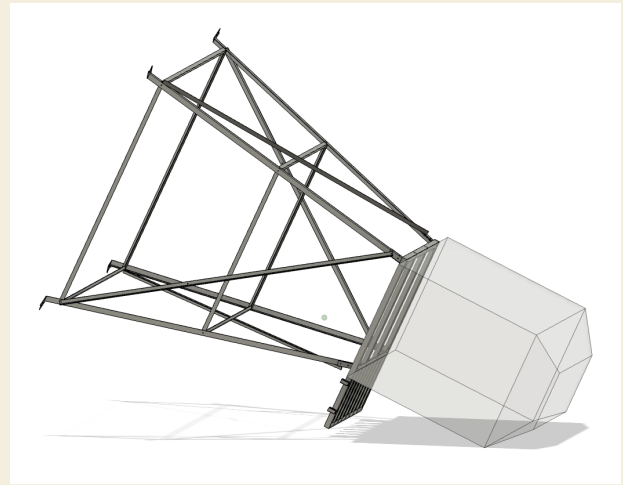


Fig. F-1

STEP G · STAND STAGE

G

STAND TOWER & BLIND

Lift the assembled 10' tower-and-blind from lay-flat to standing position with two or three people.

The 10' assembled tower-and-blind weighs roughly 500 lbs and stands 14' overall — plan the lift. Pre-position on level ground, clear walking paths, and use a controlled walk-up. A third hand on the high end is recommended.

**TWO-PERSON LIFT
MINIMUM**

Three people is preferred for the 10' assembly. Never lift alone — the leverage at vertical exceeds the 5' tower significantly.

DIAGRAM · STEP G — 10' TOWER



Fig. G-1

PARTS IN THIS STEP

No new parts — this is a procedural step.

STEP H · FINISH STAGE

H

ATTACH STAIRWAY

With the tower standing, drop the 10' stairway into the slots at the porch end of the blind base.

Same socket-drop attach as the 5' tower — the stairway top plate has two tabs that drop directly into the ladder sockets welded into the porch frame. Set the stair feet on level ground and confirm the stair sits captive in both sockets before climbing.

PARTS IN THIS STEP

- 1** 10' Stairway
VX-LADDER-10 · BOM: 10' Ladder, complete
- Ladder sockets
1½"×1½" .083 square tube · pre-welded to porch frame

DIAGRAM · STEP H — 10' TOWER



Fig. H-1

STEP I · FINISH STAGE

ATTACH STAIRWAY HANDRAIL

Mount both 10' stairway handrails — one each side — before anyone climbs. Each handrail bolts to four mounting blocks on the stair stringers.

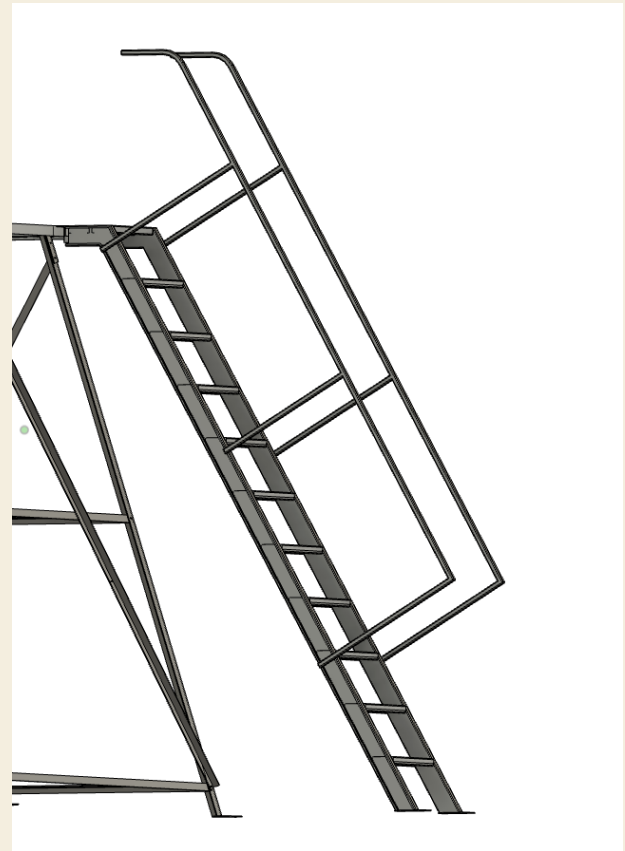
Pass each 2" x 5/16" Grade-5 bolt with a washer on the head side through the mounting block and finish with a 5/16" nylock on the back. Both handrails must be in place before climbing to attach the porch handrail in Step J.

CLIMB-SAFE ORDER Install both stairway handrails before the first climb. The porch handrail (Step J) is attached from above.

PARTS IN THIS STEP

- 1 2 10' Stairway Handrails (one each side)
VX-RAIL-STAIR-10 · BOM: 10' Ladder, Railing
- 2 4 Handrail Mounting Blocks
tapped 5/16" · two per handrail
- 3 4 sets Handrail Bolt Hardware (Grade 5)
2" x 5/16" bolt + 5/16" washer + 5/16" nylock · one per mounting block

DIAGRAM · STEP I — 10' TOWER



BOLT ORIENTATION DETAIL

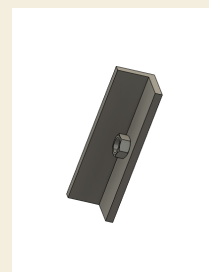
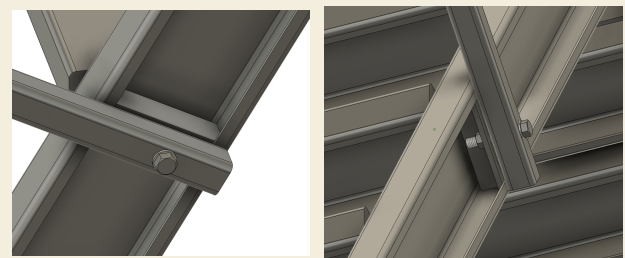


Fig. I-1

STEP J · HARDWARE STAGE

J ATTACH PORCH HANDRAIL

Climb the now-railed 10' stairway to the porch and mount the porch handrail with four 2" x 5/16" Grade-5 bolts, washers, and nylock nuts.

Same pattern as the 5' tower — slide the handrail uprights into the porch slots and fasten through the pre-drilled holes. Bolt-head goes outboard with a washer; the nylock nut rides on the inside. The rail returns into the blind base on both ends to close the perimeter around the porch.

PARTS IN THIS STEP

- 1** 1 Porch Handrail Assembly
 1"x1" .083 square tube · VX-RAIL-PORCH
 · BOM: Railing, Base
- 2** 4 sets Handrail Bolt Hardware (Grade 5)
 2" x 5/16" bolt + 5/16" washer (head side) + 5/16" nylock · porch handrail bolt kit

DIAGRAM · STEP J — 10' TOWER



BOLT ORIENTATION DETAIL

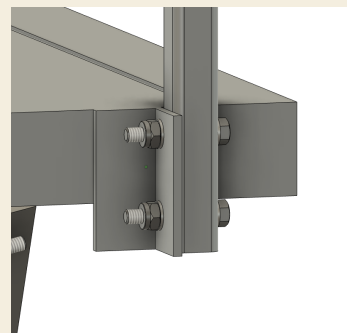


Fig. J-1

STEP K · ANCHOR STAGE

K

ANCHOR TOWER & STAIRWAY

Stake the 10' tower and stairway into the ground, then run a steel cable from a ground anchor in the center of the tower up to the four blind-to-base bolts. Hardware is **customer-supplied**.

Drive a stake through each of the four tower-leg feet and through both stairway feet — six stakes total. Install a ground anchor (auger, helical, or drive-in) centered between the four legs. Run a steel cable from the ground anchor up to each of the four bolts that secure the blind to the blind base. We recommend joining the cable to each bolt with a short length of chain so the cable can take up tension as the soil settles. Anchoring is especially important on the 10' tower — the additional height increases wind loading.

CUSTOMER-SUPPLIED Anchoring hardware is **not included** with the tower kit. Match stake length, ground-anchor type, and cable rating to your soil and exposure. When in doubt, oversize.

PARTS IN THIS STEP

- 1** 6 Stakes — tower & stairway feet
customer-supplied · 4 for tower, 2 for stairway
- 2** 1 Ground Anchor — center of tower
customer-supplied · auger, helical, or drive-in
- 3** 1 Steel Cable Run
customer-supplied · ground anchor → 4 blind-base bolts
- 4** 4 Short Chain Sections (recommended)
customer-supplied · cable-to-bolt connector

LAST PAGE · PARTS REFERENCE

PARTS REFERENCE

Every part referenced across this 10' tower manual, with its VisionX SKU, dimension, BOM line, and where it attaches on the tower. Cross-check this against your packing slip before starting.

SKU	PART & WHERE IT ATTACHES	QTY	BOM REFERENCE
BLIND BASES — CHOOSE BY KIT			
VX-BASE-44 / 46 / 56	Blind Base — 4x4, 4x6, or 5x6 footprint	1 each	BOM · matching Base sheet
TOWER FRAME — 10'			
VX-LEG-10	10' Tower Leg · 2x2x $\frac{3}{16}$ " angle, 120"	4 per tower	BOM · 10' Frame · row 1
VX-FOOT	Leg Foot · $\frac{3}{16}$ x3" flat band (pre-welded)	4 per tower	BOM · 10' Frame · row 2
VX-HB-10-MID	Mid-Tier Horizontal · 1 $\frac{1}{2}$ x1 $\frac{1}{2}$ x $\frac{3}{16}$ "	4 per tower	BOM · 10' Frame · rows 3-4
VX-HB-10-LOW	Bottom-Tier Horizontal · 1 $\frac{1}{2}$ x1 $\frac{1}{2}$ x $\frac{3}{16}$ "	4 per tower	BOM · 10' Frame · rows 5-6
VX-DB-10	Full-Height Diagonal · 1 $\frac{1}{2}$ x1 $\frac{1}{2}$ x $\frac{3}{16}$ "	4 per tower	BOM · 10' Frame · rows 7-8
MOUNT, HANDRAILS & STAIR			
VX-BOLT-KIT	Tower / Blind Bolt Kit	1 per tower	ships with tower kit
VX-RAIL-PORCH	Porch Handrail · 1"x1" .083 sq tube	1 per tower	BOM · Base sheet
VX-LADDER-10	10' Stairway	1 per kit	BOM · 10' Ladder sheet
VX-RAIL-STAIR-10	10' Stairway Handrail · one each side	2 per kit	BOM · 10' Ladder · railing
—	Handrail Mounting Block	4 per kit	tapped 5/16" · two per handrail
HARDWARE — GRADE 5 THROUGHOUT			
—	$\frac{3}{8}$ " Hex Bolt · blind-to-base	4 per tower	9/16" wrench · ships with bolt kit
—	1 $\frac{1}{4}$ " Fender Washer · blind-to-base	8 per tower	two per bolt · one each side
—	$\frac{3}{8}$ " Nylock Nut · blind-to-base	4 per tower	ships with bolt kit
—	$\frac{5}{16}$ " x 1 $\frac{1}{2}$ " Hex Bolt · frame	32 per tower	$\frac{1}{2}$ " wrench · all leg + brace junctions
—	$\frac{5}{16}$ " Flat Washer · frame	64 per tower	two per frame bolt · one each side
—	$\frac{5}{16}$ " Nylock Nut · frame	32 per tower	matches frame bolt count
—	2" x $\frac{5}{16}$ " Hex Bolt · handrails	8 per tower	4 porch + 4 stairway
—	$\frac{5}{16}$ " Flat Washer · handrails	8 per tower	one per bolt · head side
—	$\frac{5}{16}$ " Nylock Nut · handrails	8 per tower	4 porch + 4 stairway
ANCHOR KIT — CUSTOMER-SUPPLIED			
—	Stakes — tower & stairway feet	6 total	4 tower + 2 stairway · soil-rated
—	Ground Anchor — tower-center	1 per tower	auger, helical, or drive-in
—	Steel Cable Run · ground anchor → 4 blind-base bolts	1 per tower	rated for tower wind load
—	Short Chain Sections (recommended)	4 per tower	cable-to-bolt connector

SUPPORT

Replacement parts, assembly questions, or warranty service — reach out to your dealer or VisionX directly. · visxmf.com · Wholesale & Dealer Program · Jacksboro, TX

LIFETIME STRUCTURAL WARRANTY

VisionX backs the structural shell of every tower and blind for the original purchaser's lifetime; damage from misuse or off-manual installation is excluded. Keep your packing slip and invoice for claims.